



Hose Reel HEPC Nozzle Stowage with Interlock

Part No DCA10214/DCA10216

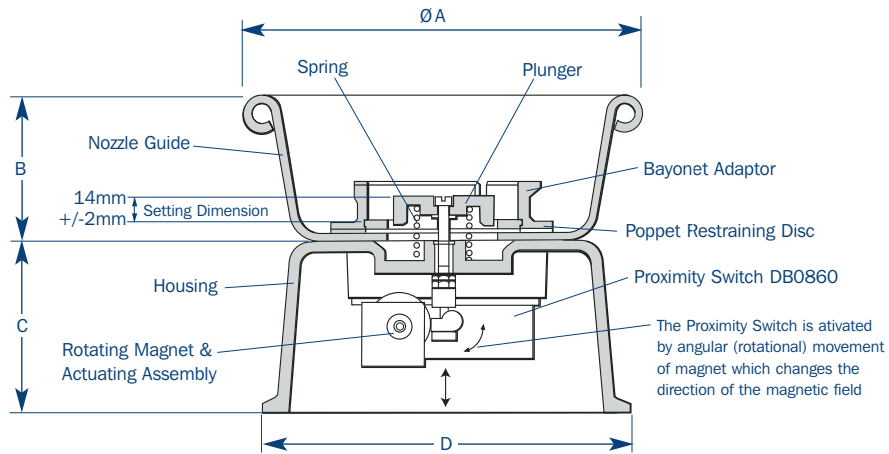
fluid transfer international

Technical Data

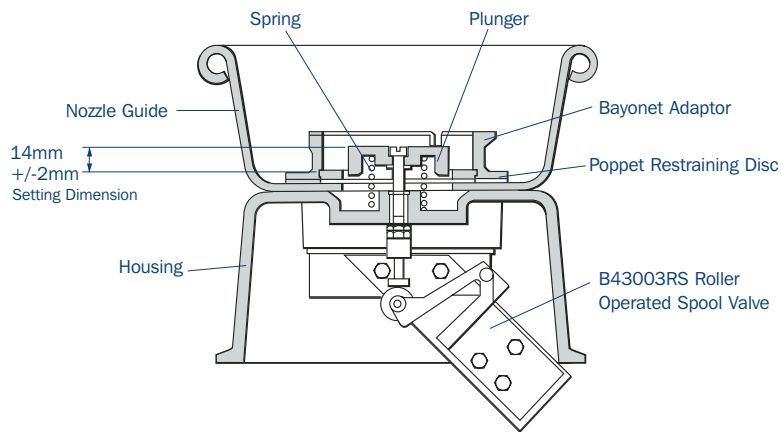
The FLUID TRANSFER HEPC Nozzle Stowage is an integrated unit that provides a positive locking engagement, nose protection and a built-in interlock switch. This switch can either be an electrical proximity switch or pneumatic valve. The stowage consists of a cast aluminium base on which is mounted a tapered nozzle guide. The nozzle locks on to an inexpensive replaceable bayonet connector made in high strength aluminium bronze alloy. When the nozzle is stowed a central nylon plunger operates the interlock switch concealed in the base. On the pneumatic interlock version the plunger activates a lever operated spool. On the electrical interlock version the plunger rotates a magnet over a proximity switch, which changes the magnetic field and operates the switch.

Options

Two different nozzle guides are available to suit the AVERY HARDOLL Hose End Pressure Control Nozzle and the J C CARTER HEPC Nozzle. Customer to specify Nozzle type when purchasing.



DCA10214 Electrically Actuated



DCA10216 Pneumatically Actuated

Dimensions.

Item	Part No.	Nozzle Type	A	B	C	D	Mass
Nozzle Stowage (Electrical Interlock)	DCA10214	AVERY	Ø190mm	70mm	85	210 x 170	2.3Kg
		CARTER	Ø162mm	50mm			
Nozzle Stowage (Pneumatic Interlock)	DCA10216	AVERY	Ø190mm	70mm	85	210 x 170	2.4Kg
		CARTER	Ø162mm	50mm			

Dimensions in (mm)

FTI's policy of continuous improvement means we reserve the right to alter designs and specifications without notice. The descriptions, illustrations and product references in the datasheet are for information purposes only and are not binding.

Hose Reel HEPC Nozzle Stowage with Interlock



Part No DCA10214/DCA10216

fluid transfer
international

Applications

Ensures correct stowage of the HEPC Nozzle actuating either an electrical or pneumatic switch.

Size Available

- Two sizes to suit Avery Hardoll and JC Carter Nozzles.

Features

- Cast Aluminium base, plated steel guide.
- Aluminium alloy connector.
- Electrical or Pneumatic interlocking.



Specification

The FLUID TRANSFER HEPC Nozzle Stowage is an integrated unit that provides a positive locking engagement, nose protection and a built-in interlock switch. This switch can be either an electrical proximity switch or pneumatic valve. The stowage consists of a cast aluminium base on which is mounted a tapered nozzle guide. The nozzle locks on to an inexpensive replaceable bayonet connector made in high strength aluminium bronze alloy.