



Flameproof Lamp

E501004

fluid transfer
international

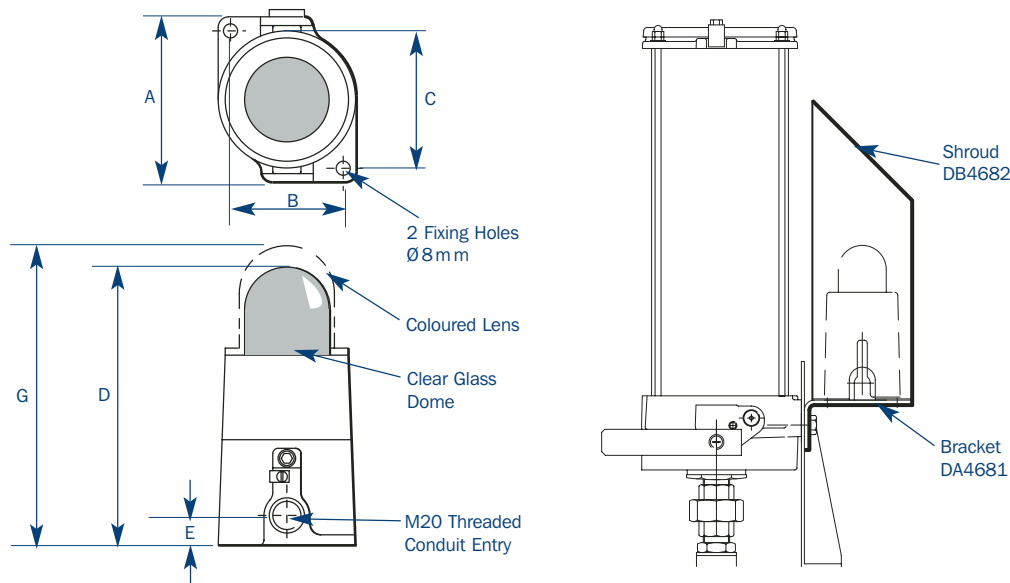
Technical Data

The Flameproof Lamp E501004 consists of a cast iron enclosure, a toughened wall glass cemented into a replaceable screw-on retaining ring. Weatherproofing is provided by a gasket located between the retaining ring and the base providing a degree of protection IP:65 to IEC 144. The unit comes as standard with a lamp-holder to accept a pigmy bulb.

Area classification	Zones 1 & 2 – Apparatus Groups 11A & 11D.
Protection code/apparatus standard	EEx.d11B T5 to BS5501 Part 5 (EN50018)
Certificate Number	EX811262
Temperature Classification	Class T5 – 100 deg.C max. surface temperature to BS5501 Part 1 EN50014)

Note: In order to ensure that the lamp surface has cooled to a temperature below the T5 classification, the cover should not be removed within 3 minutes of isolation.

The Flameproof Lamp assembly is available with two types of bulb and different colour lenses as shown:



Dimensions

Part No	Item	A	B	C	D	E	F	Weight
E501004	Flameproof Lamp	94	64	78	158	17	170	2kg

Dimensions in (mm)

Options

Part Number	Description	Rating
PMY2415BC	Bulb Pigmy Clear	24v, 15w
PMY1215BC	Bulb Pigmy Clear	12v, 15w

Lens

Part No.	Colours
E501004	Clear
E501004-R-P	Red
E501004-G-P	Green
E501004-A-P	Amber
E501004-B-P	Blue

VCFS Kit (DA5008)

A kit to suit the VCFS includes DA4681 Bracket and DB4682 Shroud.

Part No.	Item
DA4681	Bracket
DB4682	Shroud

FTI's policy of continuous improvement means we reserve the right to alter designs and specifications without notice. The descriptions, illustrations and product references in the datasheet are for information purposes only and are not binding.

Flameproof Lamp



E501004

fluid transfer
international

Applications

Sealed lamp and enclosure used to provide light in explosive atmospheres, i.e. behind Visual Check Fuel Samplers (VCFS).

Features

- Rugged cast iron hot dipped galvanised body.
- Temperature resistant toughened well glass diffuser.
- Classification: EEx.d11B Flame proof T5 to BS5501 Part 5 (EN50018)
- IP protection to IP65 to IEC 144

Options

The standard lamp assembly permits:

- Lamp voltages: 12v and 24v
- Colours: Clear, Red, Green, Amber and Blue

To use with VCFS the assembly includes:

- Shroud (not shown)
- Fixing bracket (not shown)



Specification

The Flameproof Lamp E501004 is used in locations possibly exposed to fuel vapours to provide light such as with the Fluid Transfer Visual Check Fuel Sampler (DDA11432) or as an indicating lamp with various coloured lamps.

The assembly consists of a cast iron enclosure, a toughened well glass cemented into a replaceable screw-on retaining ring. Weatherproofing is provided by a gasket located between the retaining ring and the base providing a degree of protection IP65 to IEC 144. The unit comes as standard with a lamp-holder to accept a double pole (earth return) pygmy lamp.